

PRTU-IP-RTR

PRICE IP ROUTER



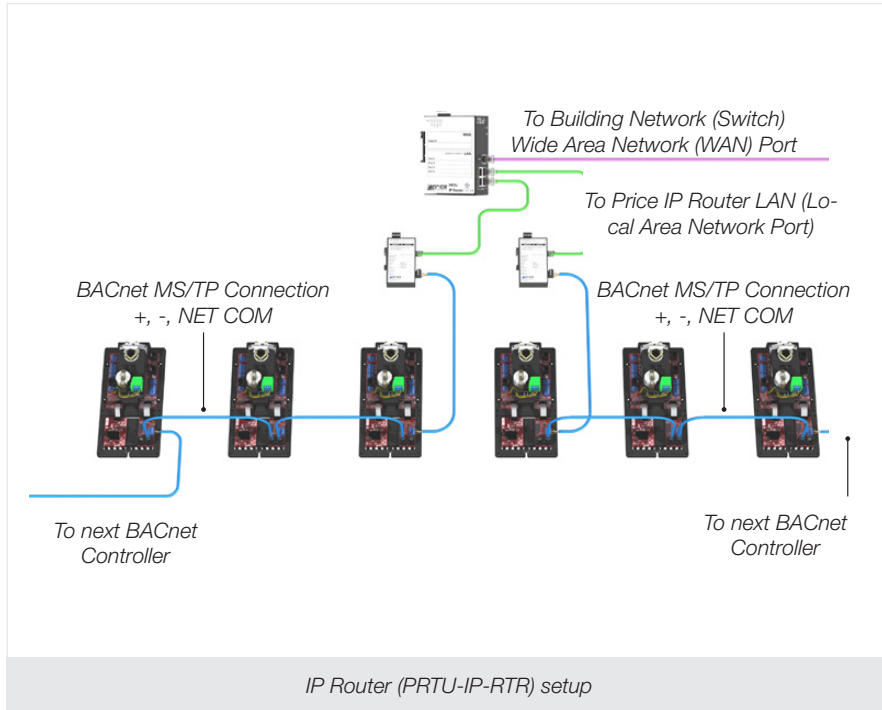
PWR	<input type="checkbox"/>	<input type="checkbox"/>	<input type="checkbox"/>	<input type="checkbox"/>
INC	<input type="checkbox"/>	COM	<input type="checkbox"/>	INC
		COM	<input type="checkbox"/>	
WAN				
Static IP _____				
(Default IP: 192.168.97.1) LAN				
Port 1 _____				
Port 2 _____				
Port 3 _____				
Port 4 _____				
		PRTU IP Router		

PRTU-IP-RTR

Price IP Router

Typical System Configuration

The PRTU-IP-RTR links the Local Area Network (LAN) and Wide Area Network (WAN), enabling communication and access to the PRTU-BAC-RTR and Web Server on a local network. Router configuration is available via a web browser for PAT, NAT and build-in stateful firewall setup. Port forwarding is also available, enabling LAN-side devices to be accessed remotely online.



FEATURES

- + Displays Power and Ethernet status via diagnostic LED
- + Stateful firewall
- + Web browser configuration
- + PAT, NAT and port forwarding properties
- + DHCP client (WAN) and DHCP server (LAN)
- + Remote router access
- + DIN-rail mounting
- + UL 508, c-UL, CE



PRICE | CONTROLS

Product Improvement is a continuing endeavour at Price. Therefore, specifications are subject to change without notice. Consult your Price Sales Representative for current specifications or more detailed information. Not all products may be available in all geographic areas. All goods described in this document are warranted as described in the Limited Warranty shown at priceindustries.com. The complete Price product catalog can be viewed online at priceindustries.com.